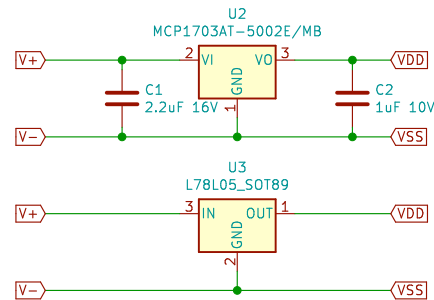


Do not fit J1, J3, J4
Fit one of U2 or U3



Voltage supply:
If supplied from regulated 5V, supply GND on VSS, 5V on VDD
If supplied from 7-16V, supply GNS on V-, 7-16V on V+. (200mA @ 5V available on VDD).



Ambient Power

Sheet: /
File: AP097 PIC LPC eval.sch

Title: PIC Low Pin Count Evaluation Board

Size: A4 Date: 2021-08-18
KiCad E.D.A. kicad (5.1.7-0-10_14)

Rev: 191
Id: 1/1